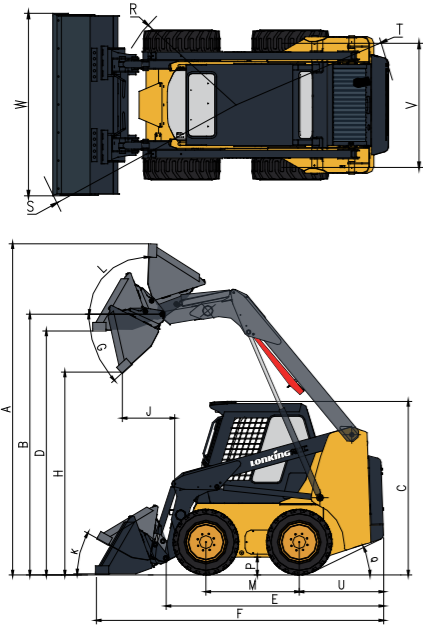


**DIMENSIONS**

All Dimensions are Approximate. Dimensions May Vary with Bucket. Refer to Operating Specifications.



NO.	SPECIFICATION	UNIT	CDM307
A	Max.Operation Height	mm	3850
B	Bucket Pin Height	mm	2920
C	Cab Roof Height	mm	2000
D	Max.Height at Bucket Leveled	mm	2730
E	Length without Attachment	mm	2420
F	Length with Standard Bucket	mm	3320
H	Dumping Height	mm	2180
J	Reach Rollback	mm	790
M	Wheelbase	mm	1050
P	Ground Clearance	mm	210
R	Front Turning Radius without Attachment	mm	1200
S	Front Turning Radius	mm	2060
T	Rear Turning Radius	mm	1520
U	Tail Length	mm	960
V	Center Distance between Two Wheels	mm	1240
W	Bucket Width	mm	1530
G	Dumping Angle at Max.Height	°	39
K	Bucket Angle on Ground	°	28
L	Bucket Rollback Angle At Max.Height	°	94
Q	Start Angle	°	27

MACHINE MODEL	UNIT	CDM307 I	CDM307 II	CDM307III
<b>MAIN SPECIFICATION</b>				
Engine Model		KUBOTA V2403-M-T-E3B	XINCHAI A498BT1-75	PERKINS A404D-22
Emission Standard		EuroIIIA	EuroIIIA	EuroIIIA
Rated Power	kW/rpm	42/2600	36.8/2500	35.7/3000
Operating Weight	kg	2700	2800	2700
Rated Payload	kg	752	760	752
Bucket Capacity	m³	0.43	0.43	0.43
L×W×H	mm	3320×1530×2000	3320×1530×2000	3320×1530×2000
<b>ENGINE SYSTEM</b>				
Engine Model		KUBOTA V2403-M-T-E3B	XINCHAI A498BT1-75	PERKINS A404D-22
Rated Power	kW/hp/rpm	42/56/2600	36.8/50/2500	35.7/48/3000
Displacement	L	2.434	3.168	3.36
Stroke	mm	87	98	84
Bore	mm	102.4	105	100
<b>WEIGHTS</b>				
Operating Weight	kg	2700	2800	2700
<b>POWER TRAIN</b>				
Travel Speed -F&R	km/h	11.5	11.5	11.5
<b>TIRE</b>				
Tyre		10×16.5	10×16.5	10×16.5
<b>HYDRAULIC SYSTEM</b>				
Hydraulic Flow – Standard	L/min/rpm	74	74	74
Loader Hydraulic Pressure	MPa	21	21	21
Hydraulic Flow – High Flow	L/min/rpm	110	–	–
Loader Hydraulic Pressure	MPa	19	–	–
<b>OPERATING SPEC</b>				
Rated Payload	kg	752	760	752
Tipping Load	kg	1504	1520	1504
Breakout Force	kN	20.3	20.3	20.3
Traction Force	kN	18.9	18.1	18.9
<b>SERVICE REFILL CAPACITY</b>				
Chain Box, Each Side	L	9	9	9
Cooling System	L	12	12	12
Engine Crankcase	L	8	8	8
Fuel Tank	L	83	83	83
Hydraulic Tank	L	65	65	65

# LONKING 龙工

Efficiency Rules the Future

## CDM307 SKID STEER LOADER

- Famous Engine
- Import Hydraulic System
- Integral Instrument Panel
- AC Cabin
- Worldwide Universal Quick-change Connector
- Various Attachments as Optional



	CDM307- I	CDM307- II	CDM307-III
ENGINE MODEL:	KUBOTA V2403-M-T-E3B	XINCHAI A498BT1-75	PERKINS A404D-22
RATED POWER(kW/rpm):	42/2600	36.8/2500	35.7/3000
OPERATING WEIGHT(kg):	2700	2800	2700
RATED PAYLOAD(kg):	752	760	752
BUCKET CAPACITY(m³):	0.43	0.43	0.43

LONKING (FU JIAN) INTERNATIONAL TRADE CO.,LTD.  
**LONKING HOLDINGS LIMITED**  
 Add:26 Minyi Road,Xinqiao,Songjiang Industrial Zone,Shanghai  
 P.C: 201612  
 Tel: +86-21-3760 2242  
<http://www.lonkinggroup.com>  
 E-mail:export@lonking.cn

For more information on Lonking products,  
 Please contact our local agent:



Specifications and design are subject to change without prior notice.  
 Machines shown may not include optional accessories.